



mmunicatio

**OPERATING and SERVICE
INSTRUCTIONS**



the hallicrafters co.

MANUFACTURERS OF ELECTRONIC EQUIPMENT, CHICAGO 24, U. S. A.

GENERAL DESCRIPTION

World-wide radio reception is yours with the Hallicrafters Model S-38C. This 5 tube communications receiver tunes from 540 kilocycles to 32 megacycles to bring you standard broadcast programs, foreign and domestic shortwave broadcasts, amateurs, police, ships, aircraft and countless other exciting distant stations. It receives both voice and code broadcasts and is designed to operate from 105 to 125 volt direct current (DC) or 60 cycles alternating current (AC). A 5-inch Alnico V permanent magnet speaker is built into the top of the cabinet and tip jacks have been provided on the back of the set for plugging in a pair of headphones. The RECEIVE-STANDBY switch on the front panel is a special feature which permits you to silence the receiver without turning the set off.



Good reception of both standard and shortwave broadcasts can be obtained in most localities with the 15 foot antenna wire included with your receiver. It is merely necessary to uncoil this wire, connect one end of it to terminal A1 on the back of the set and then run it about the room in any convenient manner. To complete the antenna installation, connect the jumper between terminals A2 and G.

Your set is provided with two tuning knobs for greater ease of tuning. Wide tuning is done with the knob marked TUNING and fine tuning with the knob marked BAND SPREAD. The BAND SPREAD knob permits you to accurately tune in stations on crowded bands by spreading them out so that they may be more easily separated. In this way you are able to hear many more stations than you would on an ordinary radio with just one tuning knob.

The amateur bands and principal shortwave channels of the world are clearly marked on the dial for your convenience. Since shortwave conditions vary with the season of the year and even with the time of day, shortwave programs may not be heard with the same regularity as standard broadcasts. A special table has been provided on page 3 to aid you in determining the most favorable times for shortwave listening.

IMPORTANT

Your careful attention is especially invited to the installation and operating instructions. They have been provided to insure the satisfaction you have a right to expect from a Hallicrafters "Precision Built" product. Your receiver has an unusually high degree of sensitivity necessary to receive weak and distant stations. Careless operation of a high sensitivity receiver may result in excess noise or background hiss. These undesirable effects can be held to a minimum by careful adjustment of the tuning controls as well as the proper selection and arrangement of the antenna.

INSTALLATION INSTRUCTIONS

ANTENNA - The terminals marked A1, A2 and G on the back of the set are for antenna and ground connections. Good results can be obtained in most localities with the 15 foot antenna wire included with your receiver. This wire should be uncoiled to provide maximum signal pickup. An outside antenna 50 to 100 feet long (ordinary copper wire) may be necessary if the receiver is operated in a difficult reception area or steel constructed building. Connect the antenna wire to terminal A1 on the back of the set and then connect the jumper between terminals A2 and G. In some locations, reception may be improved by connecting a lead from terminal G to a cold water pipe or outside ground rod.

For really top performance, there is no substitute for an outside antenna such as used by the commercial radio stations. Provision has been made on your receiver for the connection of this type of antenna, commonly called a doublet. When a doublet antenna is used, the jumper is removed and the antenna is connected to terminals A1 and A2. Consult your radio dealer for further information.

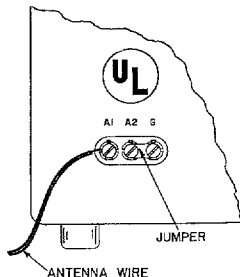


Fig. 1. Rear View of Receiver Showing Antenna and Ground Terminals

OPERATING INSTRUCTIONS

TUNING DIAL - All dial readings are in megacycles. To convert the readings on the standard broadcast band (band 1) to kilocycles, simply remove the dot and add two zeros; thus, .7 on the dial corresponds to 700 kilocycles.

AM-CW SWITCH - Set this switch at AM to listen to voice and musical broadcasts. Set it at CW only if you wish to hear code signals.

SPEAKER-PHONES SWITCH - For operation of the built-in speaker, set the switch at SPEAKER. Tip jacks are provided on the back of the set for plugging in a pair of headphones. Use any 500 to 5000 ohm headphones. For headphone operation set the switch at PHONES.

BAND SELECTOR CONTROL - Set this control for the band you wish to tune.

VOLUME CONTROL - Turn this control clockwise to turn the set on. Allow about 30 seconds for the tubes to reach operating temperature and then advance the control to increase volume. To turn the set off, turn this control counter-clockwise until a click is heard.

NOTE - If the receiver does not operate after the 30 second warm up when connected to a DC source, the power plug should be reversed in the wall outlet to obtain proper polarity.

RECEIVE-STANDBY SWITCH - Set this switch at RECEIVE for radio reception. If you wish to silence the receiver without turning the set off, set the switch at STANDBY. To resume radio reception, simply return the switch to the RECEIVE position.

TUNING KNOB - Your receiver has been provided with two tuning knobs - The TUNING knob which operates the pointer on the left hand dial and a separate BAND SPREAD knob which operates the pointer on the right hand dial. The TUNING knob is for wide tuning and the BAND SPREAD knob for fine tuning. Use the TUNING knob to tune in the desired station. Tune for the clearest and strongest signal. If the signal is too strong, reduce it by means of the VOLUME control, not by using the TUNING knob. For code reception, adjust the TUNING knob for the desired pitch of the CW code signal when tuning in the station.

IMPORTANT - The dial readings will correspond to the exact station frequencies only if the BAND SPREAD dial pointer is set at 0.

BAND SPREAD KNOB - The BAND SPREAD knob permits you to accurately tune in stations on crowded bands by spreading them out so that they can be more easily separated. The BAND SPREAD knob can be used in two different ways. First, it may be left with the pointer at 5 while you partially tune in the desired station with the TUNING knob. Then, by "rocking" the BAND SPREAD knob back and forth (turn it a few degrees to the left and right-through the desired station), you will be able to tune in the desired station with precision accuracy.

The second way to operate the BAND SPREAD knob is to use it to cover a group of stations. Set the BAND SPREAD knob so that the pointer reads 0 and then turn the TUNING knob to tune in the highest frequency station in the group. The other stations can be heard by slowly turning the BAND SPREAD knob from 0 to 100.

BEST SHORTWAVE RECEPTION TABLE

Band	Most Favorable Time	Most Favorable Distance
6-7 MC	Night - Winter	Day - 400 Miles - Night - Over 1500 Miles
9-10 MC	Day - Late Afternoon and Night - Winter	Over 500 Miles
11-12 MC	Evenings or Late Summer Afternoons	Day - Under 1500 Miles Night - Over 1500 Miles
15-18 MC	Early Mornings and Summer Evenings	Over 1500 Miles

SERVICE INSTRUCTIONS

GENERAL SPECIFICATIONS

Tubes	5 including 1 rectifier
Speaker	5 inch PM
Voice Coil Impedance	3.2 ohms
Headphone Output Impedance	15 ohms
Antenna	Terminals for single wire or doublet antenna. (See Page 2.)
Intermediate Frequency	455 KC
Frequency Coverage	540 KC - 32 MC
Power Supply	105-125 volts DC or 80 cycles AC
Power Consumption	30 watts

TUNING

BANDSPREAD

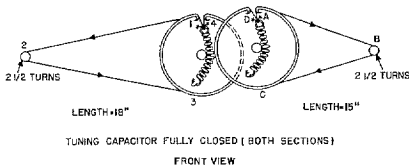


Fig. 2. Dial Cord Stringing Diagram

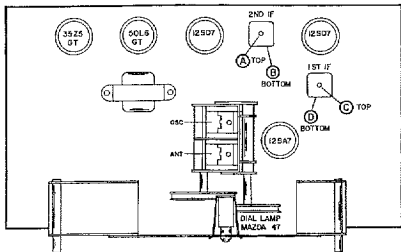


Fig. 3. Top View of Chassis Showing Location of Alignment Adjustments, Tubes and Dial Lamp

DIAL CORD STRINGING - Refer to Fig. 2 for the stringing diagram. Both sections of the tuning gang should be fully meshed. To restring the TUNING dial cord, tie one end of an 18 inch length of 30 lb. dial cord to the dial spring at 1 on the drive pulley. Follow the stringing sequence 1 through 4. At 4, stretch the spring and tie the cord securely to the spring. Cut off the excess cord and apply a drop of quick drying cement to the knot.

To restring the BAND SPREAD dial cord, cut a 15 inch length of dial cord and follow the procedure as explained above, starting at A and proceeding through D.

TUBE AND DIAL LAMP REPLACEMENT - Refer to Fig. 3 for the location of the tubes and dial lamp used in the receiver. To gain access to the tubes and lamp, remove the back cover from the cabinet. Before attempting to make any replacement, set the BAND SPREAD control fully clockwise and the TUNING control fully counterclockwise to prevent damage to the tuning gang. To replace a tube, insert the center guide pin into the center hole of the tube socket, rotate the tube until the key drops into position and then push down until the tube is held firmly in the socket. To make a dial lamp replacement, remove the dial lamp socket by compressing the side springs. Make replacement only with a type 47 pilot lamp.

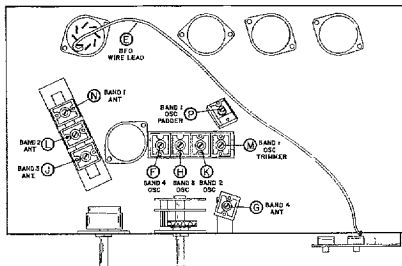


Fig. 4. Bottom View of Chassis Showing Location of Alignment Adjustments

ALIGNMENT INSTRUCTIONS

- Use an amplitude modulated generator covering 455 KC to 30 MC. Use a modulated output for every step except Step 2.
- Connect output meter across speaker voice coil.
- Use a non-metallic alignment tool.
- Set the AM/CW switch at AM, (except for BFO adjustment), SPEAKER/PHONES switch at SPEAKER, VOLUME control at maximum, RECEIVE/STANDBY switch at RECEIVE and the BAND SPREAD control at 0.
- See Figs. 3 and 4 for location of alignment adjustments.

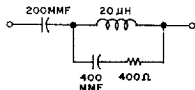


Fig. 5. RMA Dummy Antenna

Step	Signal Generator Connections	Generator Frequency	Band Selector Setting	Receiver Dial Setting	Adjust
IF ALIGNMENT					
1	High side thru a .01 mfd. capacitor to stator plates of front section of TUNING gang. Low side to chassis.	455 KC	1	1.0 MC	A, B, C and D for maximum output. Keep reducing gen. output so that the reading on the output meter does not exceed 50 milliwatts
BFO ADJUSTMENT					
*2	Same as Step 1.	455 KC (No Mod.)	1	1.0 MC	Set the AM/CW switch at CW. (Reset the switch at AM when Step 2 is completed.) For correct BFO operation, vary the coupling between lead E and pins 4 and 8 of the 12SG7 tube for a maximum beat note. Pushing lead E toward pin 4 increases the strength of the beat.
RF ALIGNMENT					
3	High side thru RMA dummy antenna (Fig. 5) to terminal A1 on back of chassis. Low side to chassis. Connect jumper between A2 and G.	30 MC	4	30 MC	F and G for maximum output as in Step 1.
4	Same as Step 3.	14 MC	3	14 MC	H and J for maximum output as in Step 1.
5	Same as Step 3.	5 MC	2	5 MC	K and L for maximum output as in Step 1.
6	Same as Step 3.	1500 KC	1	1.5 MC	M and N for maximum output as in Step 1.
		500 KC	1	.6 MC	P for maximum output as in Step 1.

* Step 2 is usually unnecessary. Adjustment should be made ONLY if a weak beat note is obtained on strong CW signals indicating lack of coupling between wire lead E and pins 4 and 8 of the 12SG7.

SERVICE OR OPERATING QUESTIONS - For further information regarding operation or servicing of your radio, contact your dealer. Make no service shipments to the factory as the Hallicrafters Co. will not accept the responsibility for unauthorized shipments. Factory type service is available at any HALICRAFTERS AUTHORIZED SERVICE CENTER which displays the sign shown at the right of the page. For the location of the one nearest you, consult your dealer or telephone directory.



The Hallicrafters Co. reserves the privilege of making revisions in current production of equipment and assumes no obligation to incorporate these revisions in earlier models.

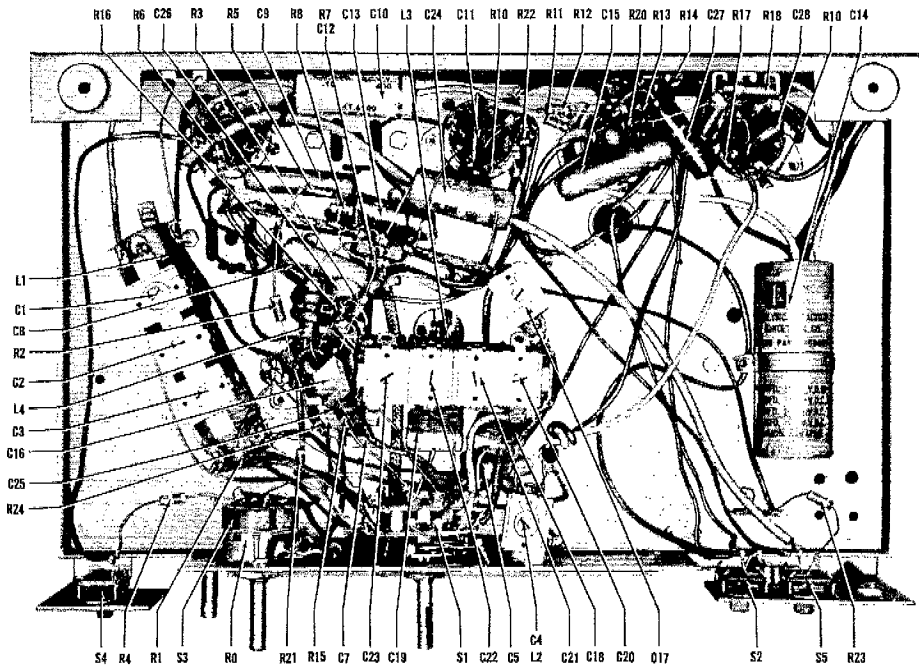
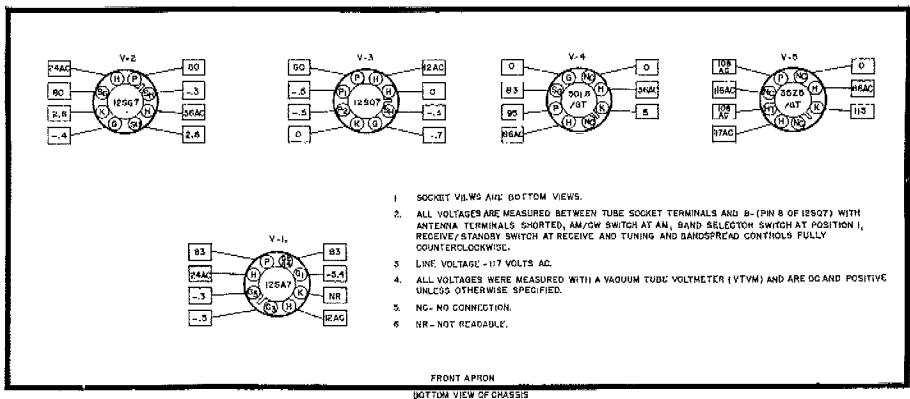


Fig. 6. Bottom View of Chassis Showing Component Location



1. SOCKET VIEWS ARE BOTTOM VIEWS.
2. ALL VOLTAGES ARE MEASURED BETWEEN TUBE SOCKET TERMINALS AND B- (PIN 8 OF 12SQ7) WITH ANTENNA TERMINALS SHORTED, AM/ROW SWITCH AT AM, BAND SELECTION SWITCH AT POSITION 1, RECEIVE/STANDBY SWITCH AT RECEIVE AND TUNING AND BANDSPREAD CONTROLS FULLY COUNTERCLOCKWISE.
3. LINE VOLTAGE - 117 VOLTS AC.
4. ALL VOLTAGES WERE MEASURED WITH A VACUUM TUBE VOLTMETER (VTVM) AND ARE 00 AND POSITIVE UNLESS OTHERWISE SPECIFIED.
5. NC - NO CONNECTION.
6. NR - NOT READABLE.

FRONT APRON
BOTTOM VIEW OF CHASSIS

Fig. 7. Tube Socket Voltage Chart

SERVICE PARTS LIST

Schematic Symbol	Description	Hollcrafters Part Number	Schematic Symbol	Description	Hollcrafters Part Number
CAPACITORS			SWITCHES		
C-1,2,3	Trimmer; part of antenna coil L-1	-----	S-1A,B,C&D	Bandswitch assembly (BAND SELECTOR)	80C393
C-4	Trimmer, 20-120 mfm.	44A424	S-2,5	Switch, slide; spdt (SPEAKER/ PHONES and AM/CW)	60A477
C-5	2700 mfm. 5%, 500V.; mica	47X30B272J	S-3	Switch, ON-OFF; part of VOLUME control R-9	-----
C-6A,B,C&D	Tuning capacitor, 2 section	46C162-1	S-4	Switch, slide; spdt (RECEIVE/ STANDBY)	60A476
C-7,12,16	220 mfm. 10%, 500V.; mica	47X20B221K			
C-8,15	.02 mfd. 600V., tubular	46AY203J			
C-9	.05 mfd. 200V., tubular	46AU503J			
C-10	.02 mfd. 600V., tubular	46AZ302F			
C-11A,B,C &D	Capacitor, composite: 5000, 220, 220 and 2000 mfm., 500V.; ceramic	46A151 46AZ103J			
C-13	.01 mfd. 600V., tubular	46A151			
C-14A,B,C &D	60-40-40 mfd. 150V., 20 mfd. 25V.; electrolytic	46AZ103J			
C-17	Padder, 525 mfm.	45E091	TS-1	Socket, dial lamp; includes leads	86A011
C-18	2200 mfm. 5%, 500V.; mica	44A249	TS-2	Socket, tube; octal	6A250
C-19	3000 mfm. 5%, 500V.; mica	47X30B222J		Terminal strip, antenna	88A571
C-20,21,22, 23	Trimmer; part of oscillator coil L-3	47X30B302J		Tip jacks, PHONE	88A071
C-24	.05 mfd. 600V., tubular	46AY503J	V-1	12SA7; converter	90X12SA7
C-25,26	5000 mfm. 450V., ceramic disc	47A166	V-2	12SQ7; IF amplifier and BFO	90X12SQ7
C-27	.02 mfd. 600V., molded tubular	46BR203L6	V-3	12SQ7 or 12SQ7GT/G; detector and audio amplifier	90X12SQ7 or 90X12SQ7GT/G
C-28	10,000 mfm. 450V., ceramic disc	47A224	V-4	50LEGT; audio output	90X50LEGT
			V-5	35Z5GT; rectifier	90X35Z5GT
			LM-1	Lamp, dial; type 47	39A004
RESISTORS			TUBES AND DIAL LAMP		
R-1	10,000 ohms 1/2 watt, carbon	23X20X103M			
R-2,5	2.2 megohms 1/2 watt, carbon	23X20X225M			
R-3	22,000 ohms 1/2 watt, carbon	23X20X223M			
R-4	270 ohms 1/2 watt, carbon	23X20X271K			
R-6	330 ohms 1/2 watt, carbon	23X20X331M			
R-7	47,000 ohms 1/2 watt, carbon	23X20X473M			
R-8,12,21,22	470,000 ohms 1/2 watt, carbon	23X20X474M			
R-9	2 megohms; VOLUME control	25B896			
R-10	10 megohms 1/2 watt, carbon	23X29X106M			
R-11	220,000 ohms 1/2 watt, carbon	23X20X224M			
R-13	150 ohms 1/2 watt, carbon	23X20X151K			
R-14,15,17	15 ohms 1/2 watt, carbon	23X20X150M			
R-16,18,24	22 ohms 1/2 watt, carbon	23X20X220M			
R-19	220 ohms 1 watt, carbon	23X30X221M			
R-20	1000 ohms 1/2 watt, carbon	23X20X102M	PL-1	Line cord and plug	15A048 67A078
R-23	470 ohms 1/2 watt, carbon	23X20X471K		Line cord lock; male section	76A397-1
				Line cord lock; female section	76A397-2
				Mounting foot, cabinet	16A244
				Pointer, dial; BAND SPREAD	82A216
				Pointer, dial; TUNING	82A217
				Speaker, 5-inch PM	85C030
				Spring, dial cord	75A012
COILS AND TRANSFORMERS			MISCELLANEOUS PARTS		
L-1	Coil, antenna; bands 1, 2 and 3	51C821		Cabinet	86C772
L-2	Coil, antenna; band 4	51B1015		Cabinet bezel	32C513
L-3	Coil, oscillator; all bands	51C822		Cabinet bottom cover	32C501
L-4	Choice, RF; 540 microhenries	53A107		Chip, mtg; for antenna coil L-2	76A326
T-1	Transformer, 1st IF	50C531		Dial cord (specify length)	38A026
T-2	Transformer, 2nd IF	50C532		Dial scale	83C406
T-3	Transformer, audio output	55A127		Dial window	22B311
				Knob, BAND SELECTOR and VOLUME	15A049
				Knob, BAND SPREAD and TUNING	15A048
			LS-1	Line cord and plug	67A078
				Line cord lock; male section	76A397-1
				Line cord lock; female section	76A397-2
				Mounting foot, cabinet	16A244
				Pointer, dial; BAND SPREAD	82A216
				Pointer, dial; TUNING	82A217
				Speaker, 5-inch PM	85C030
				Spring, dial cord	75A012

Warranty

"The Hallicrafter's Company warrants each new radio product manufactured by it to be free from defective material and workmanship and agrees to remedy any such defect or to furnish a new part in exchange for any part of any unit of its manufacture which under normal installation, use and service discloses such defect, provided the unit is delivered by the owner to our authorized radio dealer, wholesaler, from whom purchased, or, authorized service center, intact, for examination, with all transportation charges prepaid within ninety days from the date of sale to original purchaser and provided that such examination discloses in our judgment that it is thus defective.

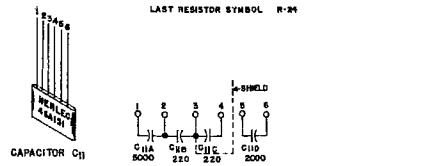
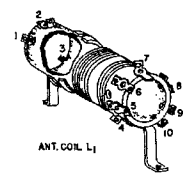
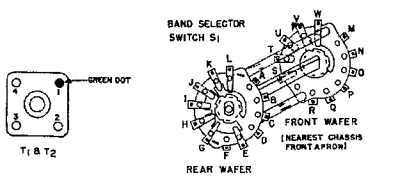
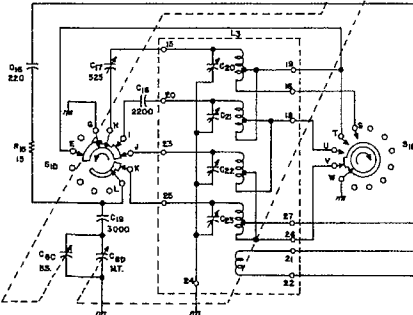
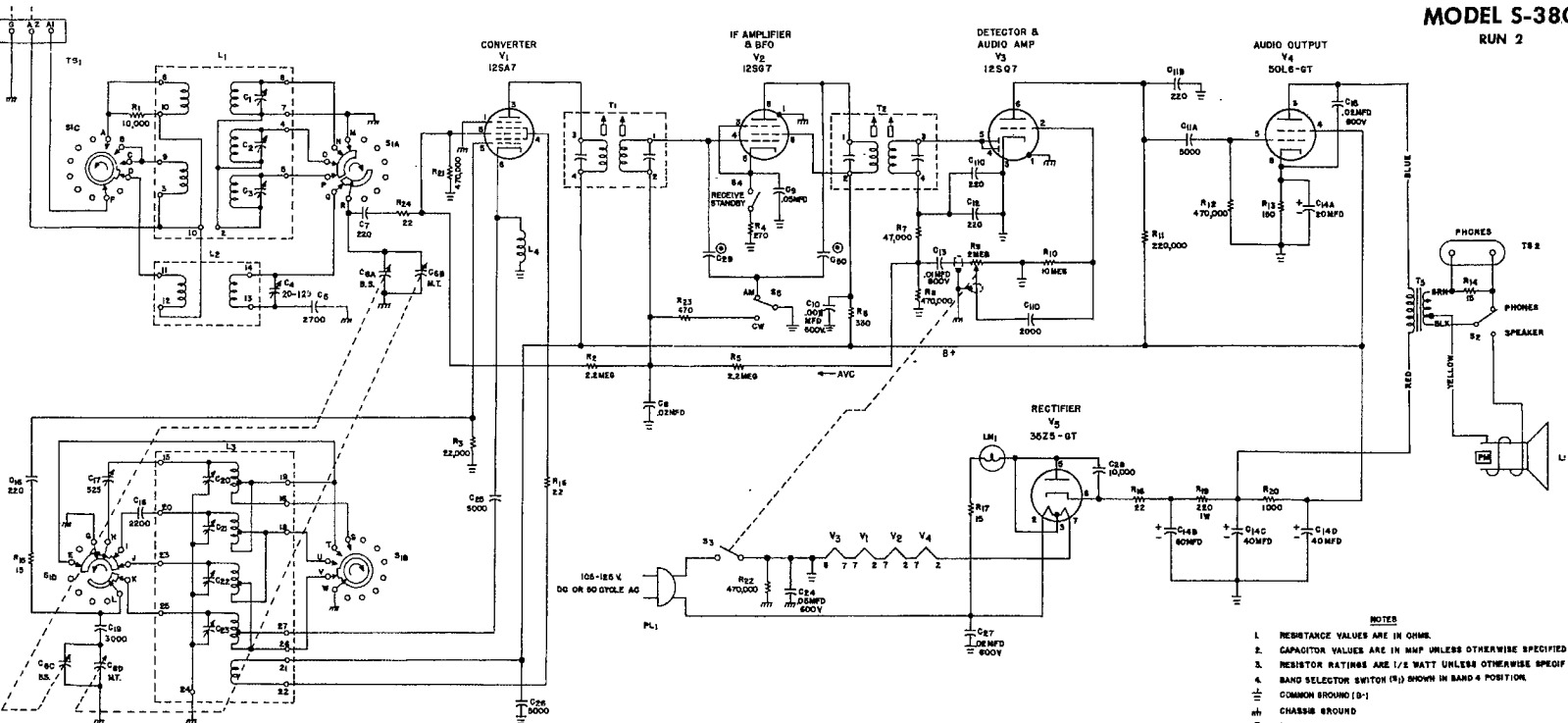
This warranty does not extend to any of our radio products which have been subjected to misuse, neglect, accident, incorrect wiring not our own, improper installation, or to use in violation of instructions furnished by us, nor extend to units which have been repaired or altered outside of our factory or authorized service center, nor to cases where the serial number thereof has been removed, defaced or changed, nor to accessories used therewith not of our own manufacture.

Any part of a unit approved for remedy or exchange hereunder will be remedied or exchanged by the authorized radio dealer or wholesaler without charge to the owner.

This warranty is in lieu of all other warranties expressed or implied and no representative or person is authorized to assume for us any other liability in connection with the sale of our radio products."

Form No. 94X622

the Hallicrafters co.



- NOTES
1. RESISTANCE VALUES ARE IN OHMS.
 2. CAPACITOR VALUES ARE IN MMF UNLESS OTHERWISE SPECIFIED
 3. RESISTOR RATINGS ARE 1/2 WATT UNLESS OTHERWISE SPECIFIED
 4. BAND SELECTOR SWITCH (S1) SHOWN IN BAND 4 POSITION.
 - ⊥ COMMON BROWN (B-)
 - ⊕ CHASSIS GROUND
 - ⊙ WIRE GIMMICK
 - LAST CAPACITOR SYMBOL 0-30
 - LAST RESISTOR SYMBOL R-34

NOTE: VALUES & TOLERANCES SHOWN ARE NOMINAL AND VARIATIONS MAY BE FOUND. IT IS RECOMMENDED THAT THE VALUES OF ANY REPLACEMENT CORRESPOND TO THE NOMINAL VALUE OF THE PART BEING REPLACED.

Fig. 8. Schematic Diagram